



Printed-Circuit-Board transformers

Output Power: 75.0 VA – 100.0 VA

EI 84

Individual version!

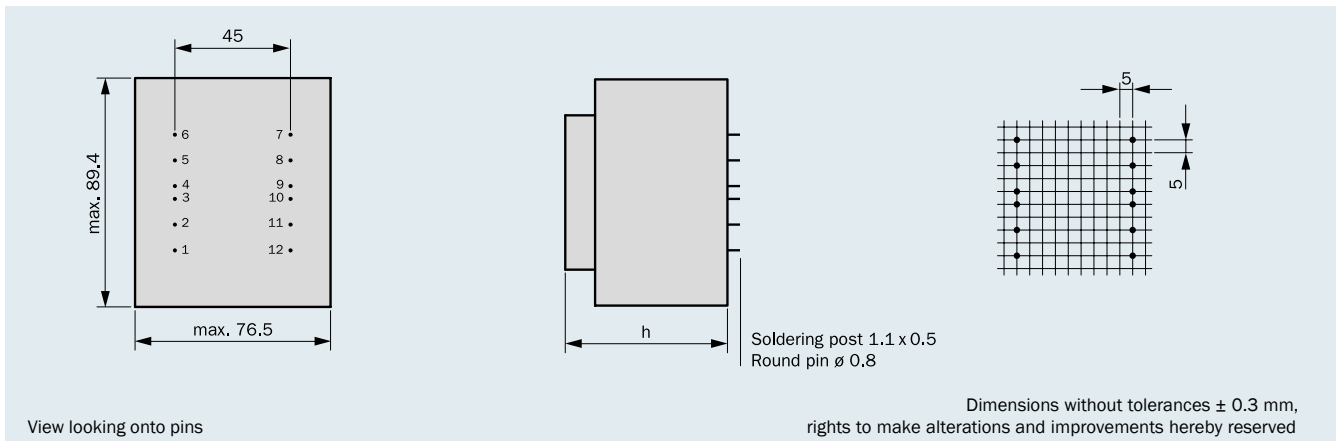
Custom-made models are available on request, e.g. with or without mounting brackets, other heights, pin configurations or connections.

- according to REACH regulation
- according to RoHS regulation

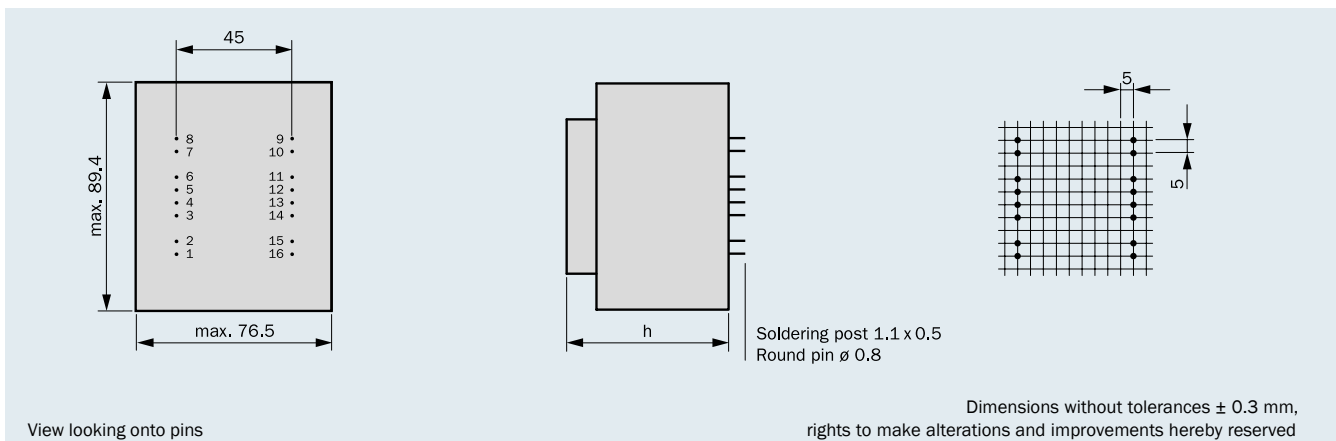
Further certifications / approvals on request!

Frame size/Core height	Output Power ta 70 °C/B	Height (h)	Weight
BV EI 841 /29.5 mm	75.0 VA	max. 63.5 mm	1.600 kg
BV EI 842 /43.5 mm	100.0 VA	max. 77.0 mm	2.100 kg

Type cast housing "0" with 12 connection pins



Type cast housing "0" with 16 connection pins



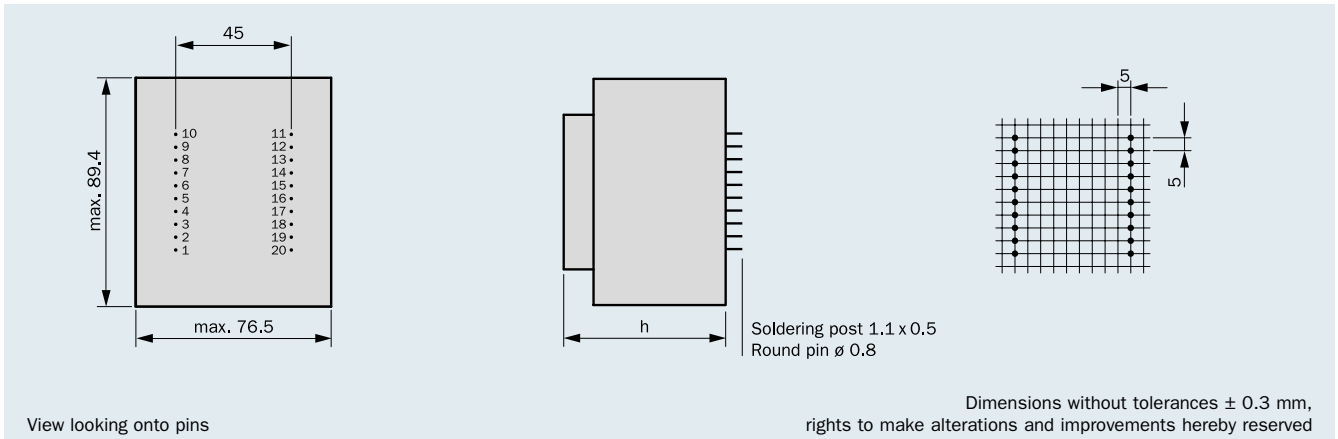


Printed-Circuit-Board transformers

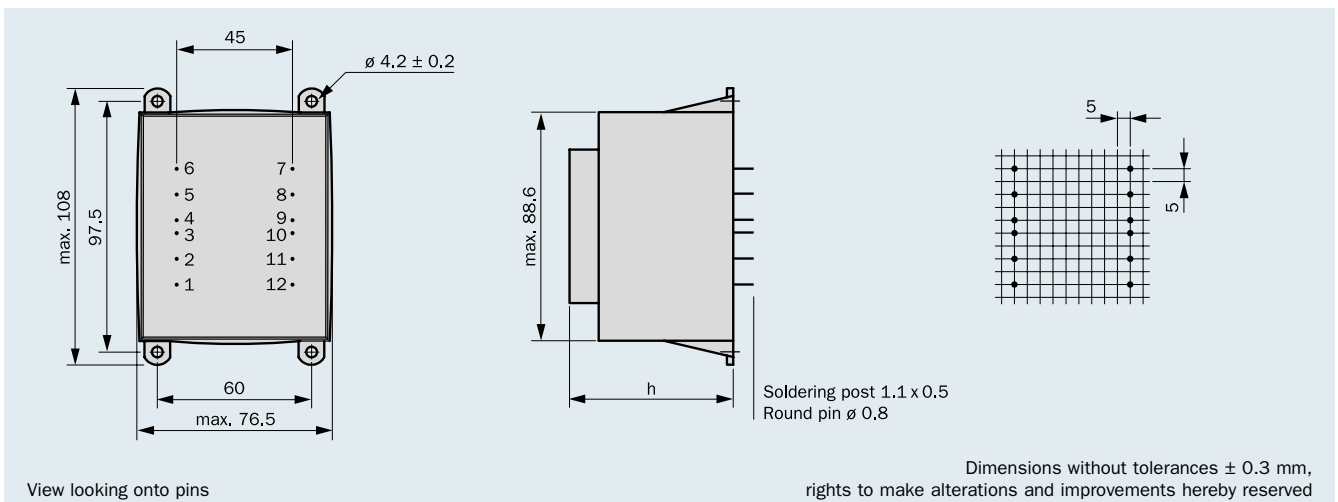
Output Capacity: 75.0 VA – 100.0 VA

EI 84

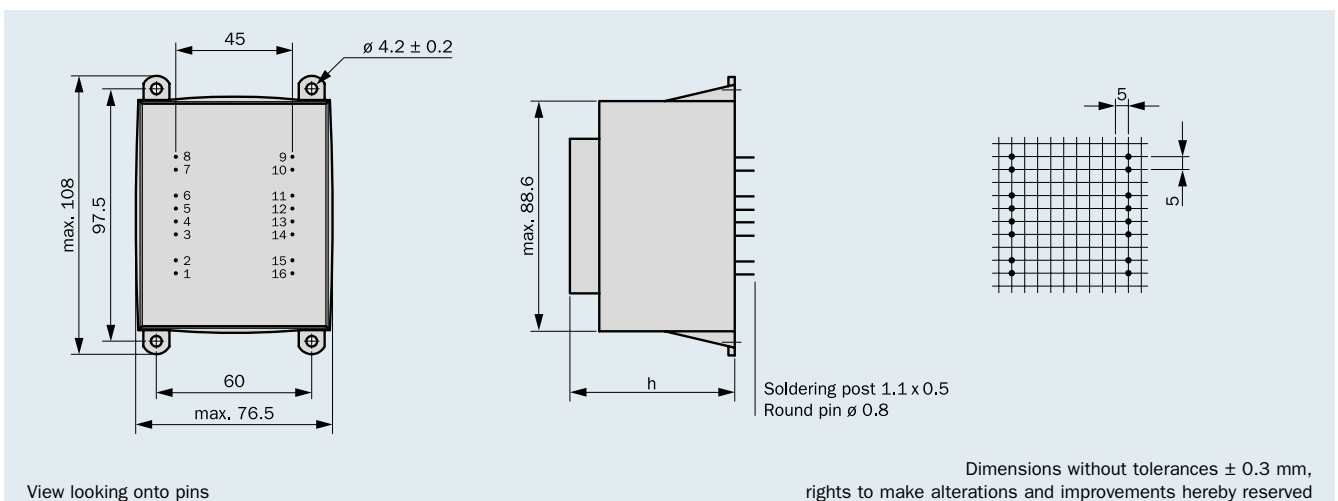
Type cast housing "0" with 20 connection pins



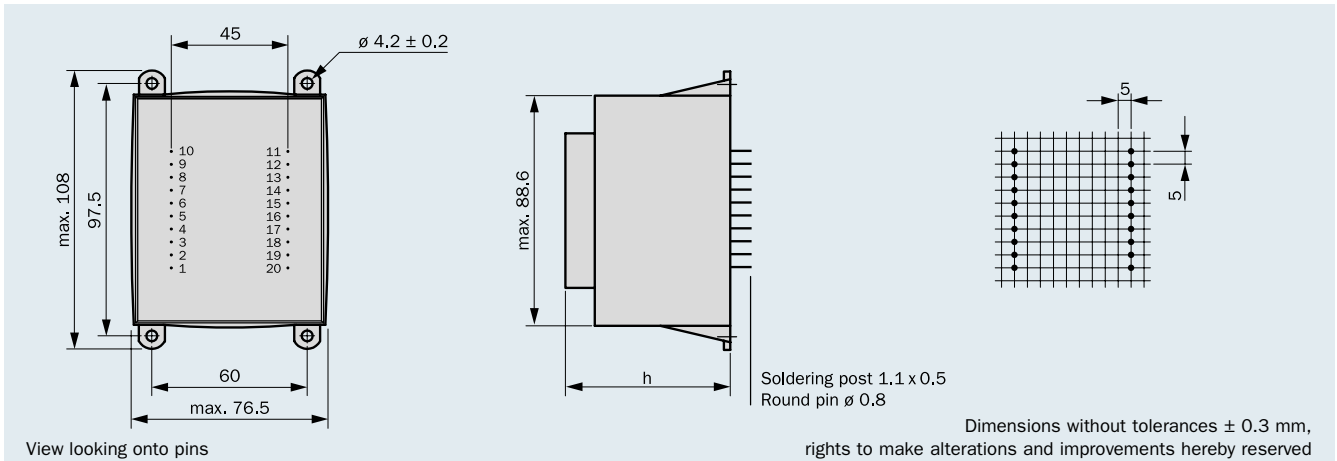
Type cast housing "KK" with 12 connection pins



Type cast housing "KK" with 16 connection pins



Type cast housing “KK” with 20 connection pins



Type cast housing “SV” for upright mounting

