



Active PFC choke series

Inductivity: 50 μH - 1.000 μH
 Nominal current: 1,5 A - 5,5 A

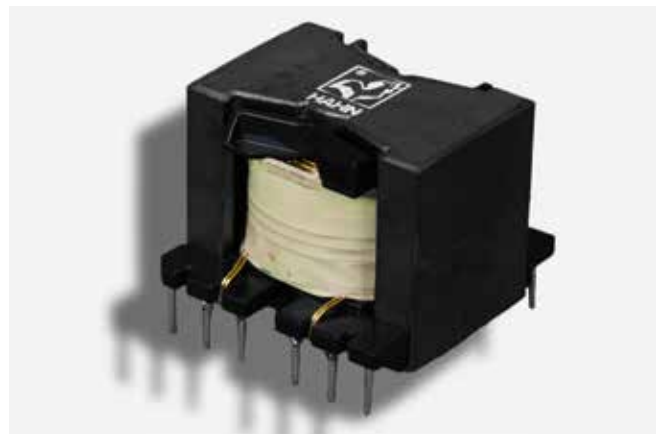
PQ 20

Report of passed Glow-Wire-Test	DIN EN 60335-1, clause 30.2.3.1 and 30.2.3.2	102961/84814
	UL 1446	E237745

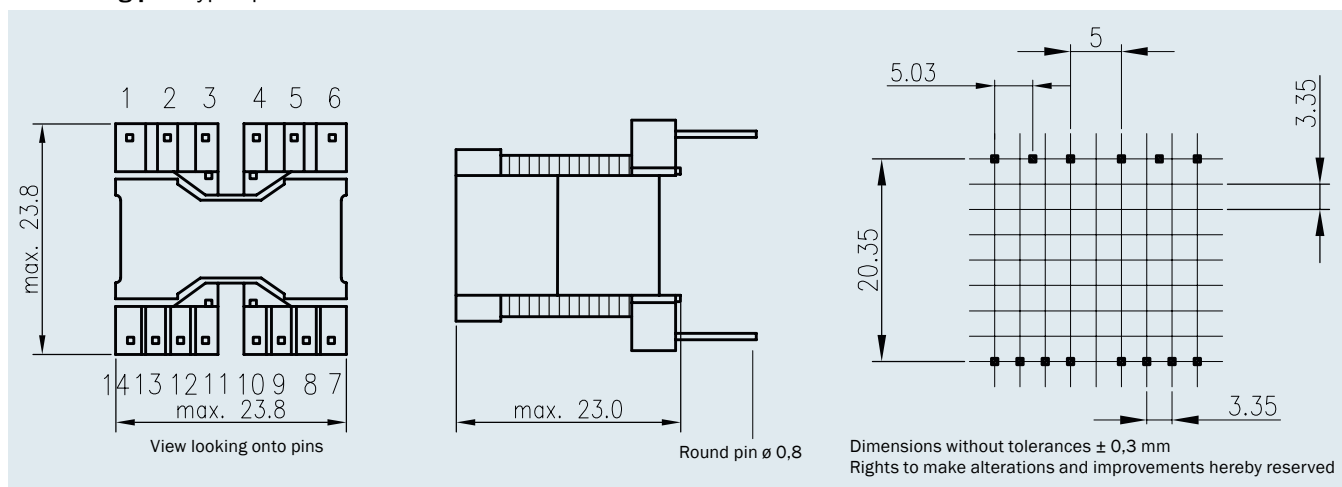
- according to REACH regulation
 - according to RoHS regulation

Further certifications / approvals on request!

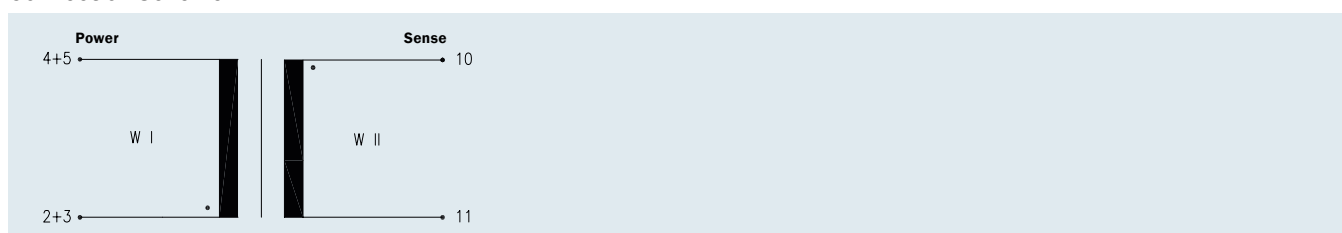
- excellent temperature fluctuation resistance properties
- high electrical safety and long service-life features
- high voltage resistance to power/sense/core
- high impulse voltage resistance
- 100 % piece inspection



Connecting pins type open



Connection Scheme



ta 70 °C/B

Frame size/Core height
BVD PQ 202...
PQ 20/20



Order No.	Nominal current IRDC [A DC]	Saturation current (LNenn-10%) [A DC]	Nominal Inductivity (LNenn) [μH]	Connecting pins		Transformation ratio Power/Sense
				Power	Sense	
BVD PQ 202 0050	5,50	8,00	50	2/3 - 4/5	10-11	9,5 : 1
BVD PQ 202 0100	4,50	5,70	100	2/3 - 4/5	10-11	8,7 : 1
BVD PQ 202 0150	4,10	4,60	150	2/3 - 4/5	10-11	10,7 : 1
BVD PQ 202 0200	3,30	4,00	200	2/3 - 4/5	10-11	9,3 : 1
BVD PQ 202 0250	2,80	3,50	250	2/3 - 4/5	10-11	10,9 : 1
BVD PQ 202 0300	2,60	3,20	300	2/3 - 4/5	10-11	9,0 : 1
BVD PQ 202 0400	2,30	2,80	400	2/3 - 4/5	10-11	10,4 : 1
BVD PQ 202 0500	2,00	2,50	500	2/3 - 4/5	10-11	9,7 : 1
BVD PQ 202 0750	1,60	2,10	750	2/3 - 4/5	10-11	10,1 : 1
BVD PQ 202 1000	1,50	1,80	1000	2/3 - 4/5	10-11	10,3 : 1